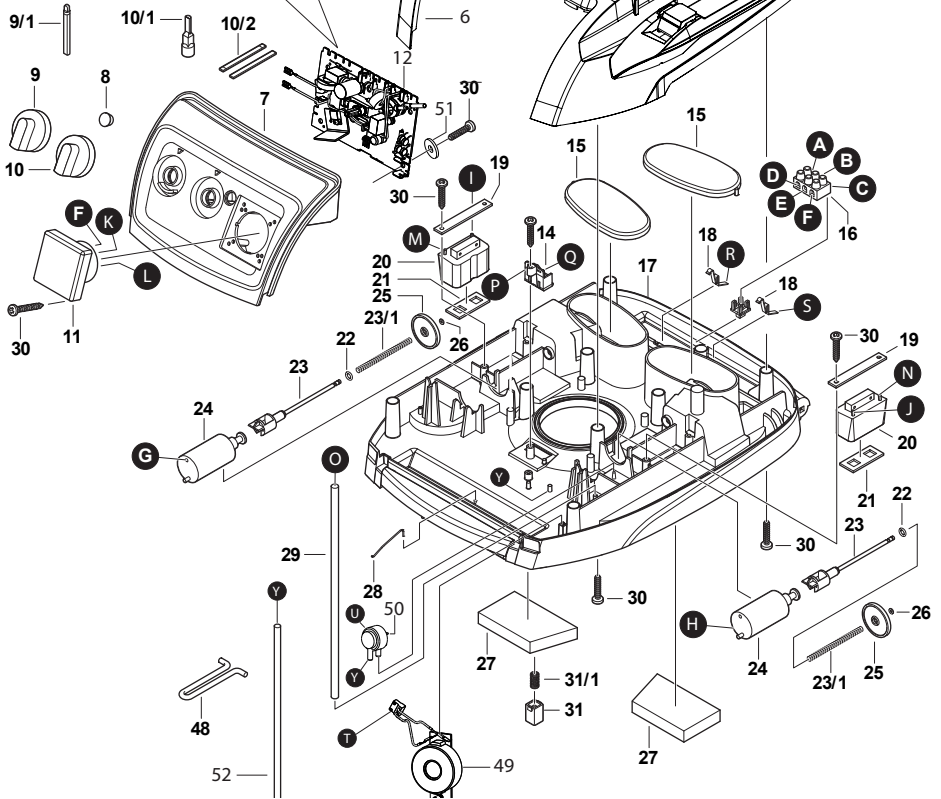
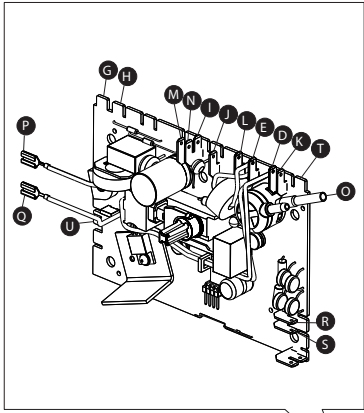


Explosionszeichnung

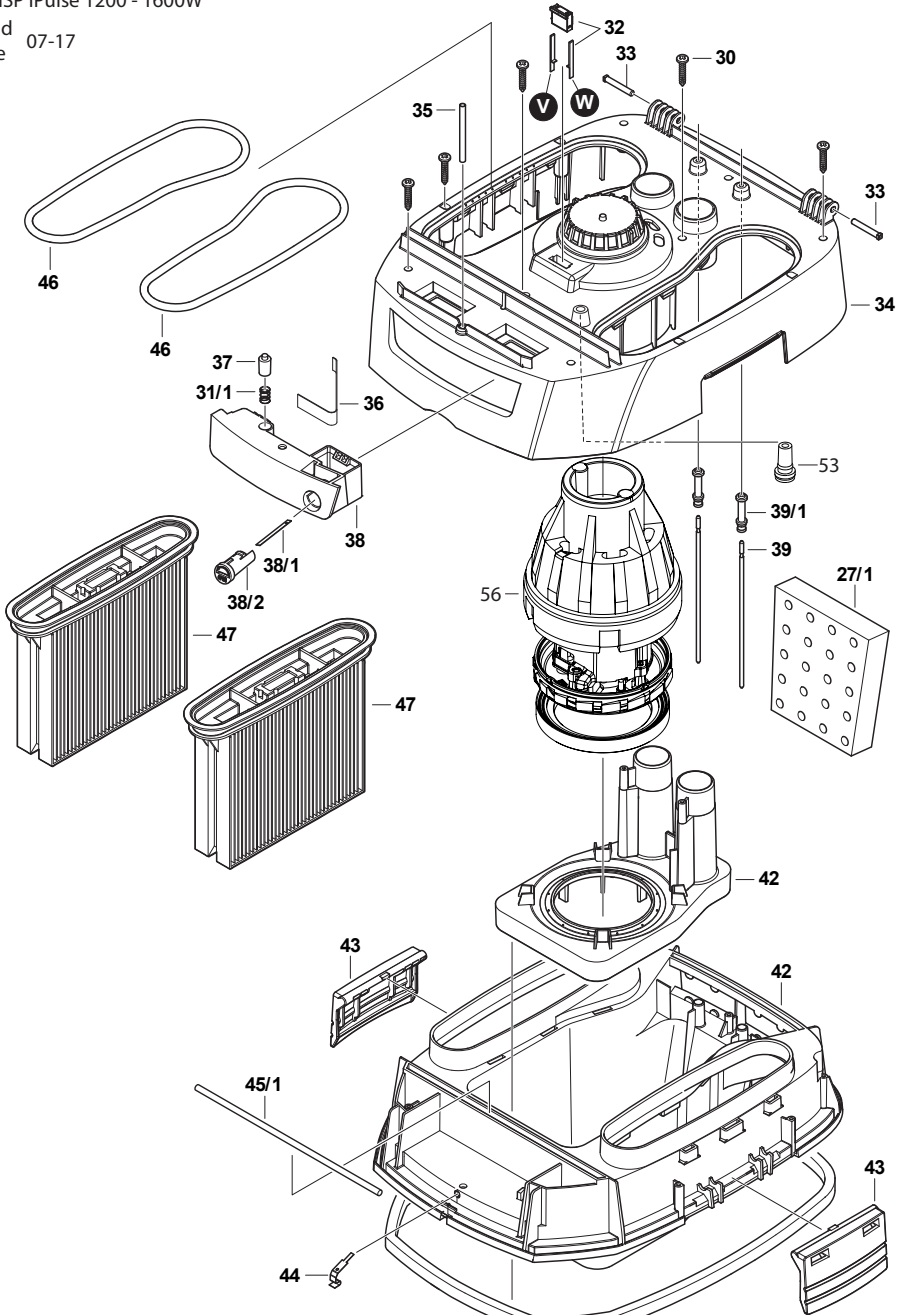
Typ ISP iPulse 1200 - 1600W

Stand 07 -17
Issue



Ersatzteile / Spare Parts		Stand / Issue: 17-08
A - iPulse L-1635 Premium	(018652)	
B - iPulse L-1635 Top	(018621)	
C - iPulse M-1635 Safe Plus	(018638)	
D - iPulse H-1635 Safe Plus	(018614)	
E - iPulse H-1235 Asbest Safe Plus	(018645)	
F - iPulse L-1635 Basic	(018539)	
G - iPulse M-1635 Safe	(018935)	
Pos.-Nr. / Item No.	Bestell-Nr. / Order No.	Typ / Type
01+02+03	407937	A-G
04+05+16+30	444666	A/B/F
04+05+16+30	444819	C/D/E/G
06	444673	A-G
56+57+30	445106	A-E
58+30	444697	F/G
07+08	444703	A-G
"09+10+9/1+10/1+10/2"	444710	A-G
11+30	444727	A-G
"12+29+30+50+51+52"	444734	A/B/F
"12+29+30+50+51+52"	444741	C/D/E/G
14	417707	A-G
17	444758	A-G
18+28+44	444765	A-G
19+20+21+30	444772	A-G
"15+22+23+23/1+25+26"	444789	A-G
24	444796	A-G
27+27/1	408200	A-G
30	408705	A-G
31+31/1+48+30	444826	A-G
31/1+35+36+37	444833	A-G
38+38/1+38/2		A-G
32	417714	A-G
33	408224	A-G
34	444802	A-G
39+39/1	408767	A-G
42+30	444932	A-G
43	408293	A-G
45+45/1+46+53	444680	A-G
47	416069	A/B/C/F/G
47	419190	D/E
56	444901	E
56	444918	A/B/C/D/F/G
49	444840	C/D/E/G
Label iPulse L/M	444857	A/B/C/F/G
Label iPulse H	444871	D/E
Label Asbestos	444864	E

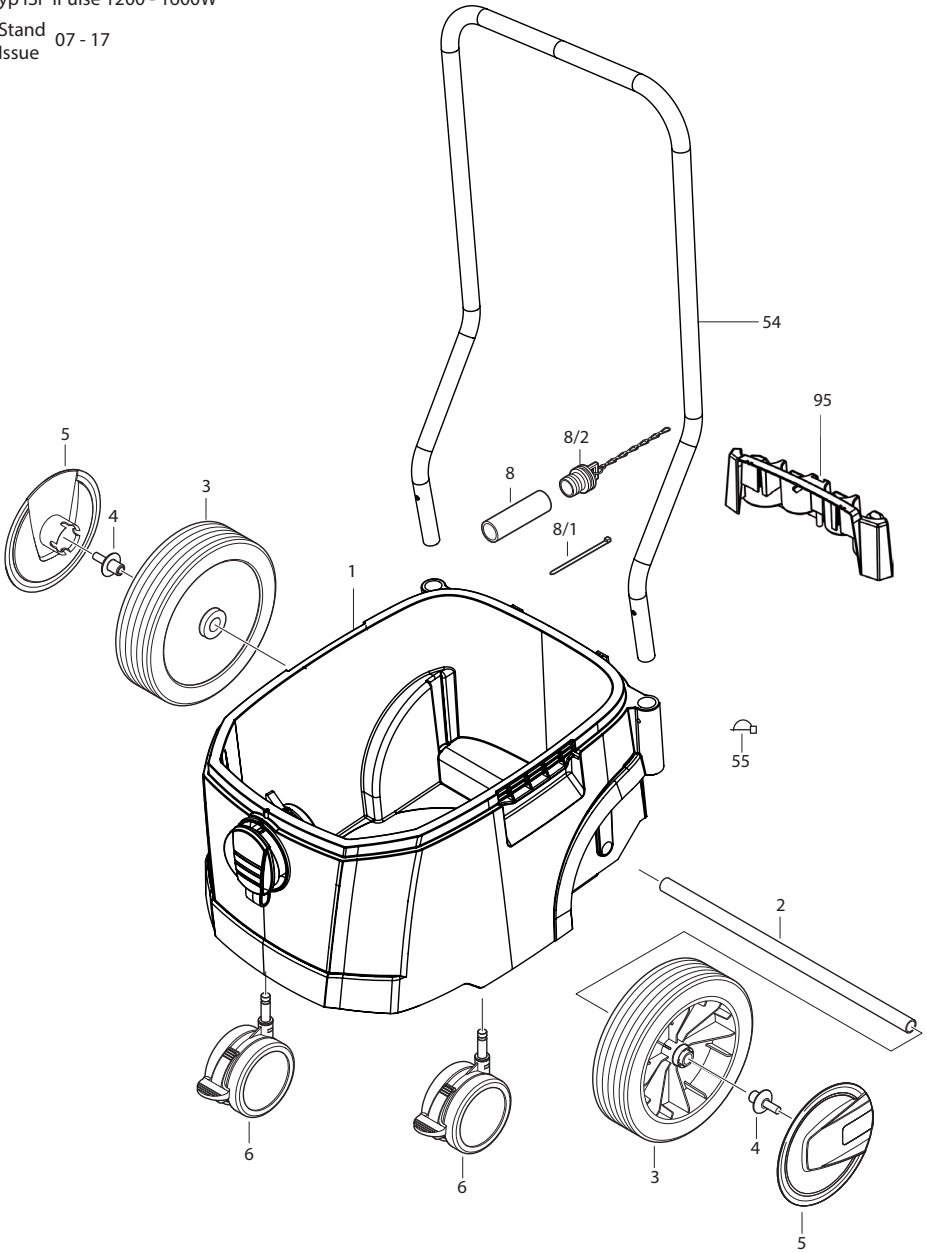
Typ ISP iPulse 1200 - 1600W
Stand
Issue 07-17



Ersatzteile / Spare Parts		Stand / Issue: 17-08
A - iPulse L-1635 Premium	(018652)	
B - iPulse L-1635 Top	(018621)	
C - iPulse M-1635 Safe Plus	(018638)	
D - iPulse H-1635 Safe Plus	(018614)	
E - iPulse H-1235 Asbest Safe Plus	(018645)	
F - iPulse L-1635 Basic	(018539)	
G - iPulse M-1635 Safe	(018935)	
Pos.-Nr. / Item No.	Bestell-Nr. / Order No.	Typ / Type
01+02+03	407937	A-G
04+05+16+30	444666	A/B/F
04+05+16+30	444819	C/D/E/G
06	444673	A-G
56+57+30	445106	A-E
58+30	444697	F/G
07+08	444703	A-G
"09+10+9/1+10/1+10/2"	444710	A-G
11+30	444727	A-G
"12+29+30+50+51+52"	444734	A/B/F
"12+29+30+50+51+52"	444741	C/D/E/G
14	417707	A-G
17	444758	A-G
18+28+44	444765	A-G
19+20+21+30	444772	A-G
"15+22+23+23/1+25+26"	444789	A-G
24	444796	A-G
27+27/1	408200	A-G
30	408705	A-G
31+31/1+48+30	444826	A-G
31/1+35+36+37	444833	A-G
38+38/1+38/2		A-G
32	417714	A-G
33	408224	A-G
34	444802	A-G
39+39/1	408767	A-G
42+30	444932	A-G
43	408293	A-G
45+45/1+46+53	444680	A-G
47	416069	A/B/C/F/G
47	419190	D/E
56	444901	E
56	444918	A/B/C/D/F/G
49	444840	C/D/E/G
Label iPulse L/M	444857	A/B/C/F/G
Label iPulse H	444871	D/E
Label Asbestos	444864	E

Typ ISP iPulse 1200 - 1600W

Stand
Issue 07 - 17



Ersatzteile / Spare Parts		Stand / Issue: 17-08
A - iPulse L-1635 Premium	(018652)	
B - iPulse L-1635 Top	(018621)	
C - iPulse M-1635 Safe Plus	(018638)	
D - iPulse H-1635 Safe Plus	(018614)	
E - iPulse H-1235 Asbest Safe Plus	(018645)	
F - iPulse L-1635 Basic	(018539)	
G - iPulse M-1635 Safe	(018935)	
Pos.-Nr. / Item No.	Bestell-Nr. / Order No.	Typ / Type
"01+02+03+04+05+06"	444888	A-G
02+03+04+05	444895	A-G
06	408408	A-G
08+08/1+08/2	408958	A-G
95	445113	A-G
54+55	445137	A-G